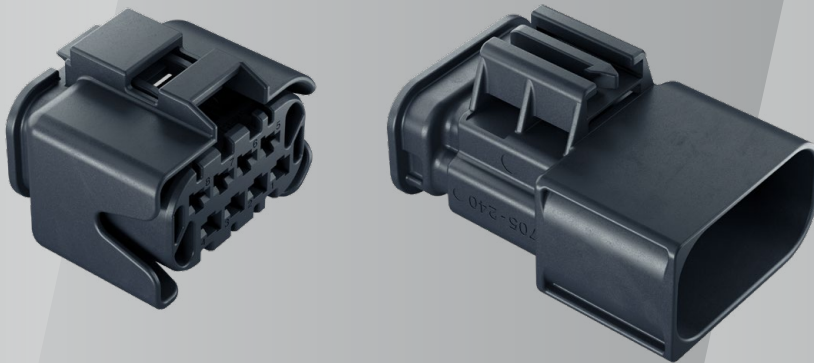


2.8 SealStar F & M Connector SLK

Compact, Watertight & Robust with Active
TPA for Reliable Connections

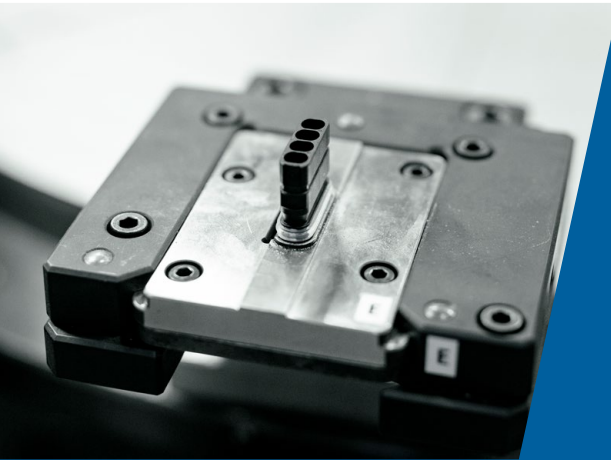


HIRSCHMANN
AUTOMOTIVE

DRIVEN BY QUALITY AND INNOVATION

Smaller, stronger, and more efficient – this connector combines a compact design with high performance. The compact housing is built for durability and space efficiency, ensuring no compromise in load capacity.

Featuring two passive locking elements, the connector guarantees a secure and reliable fit, even in demanding environments.



Characteristics Female:

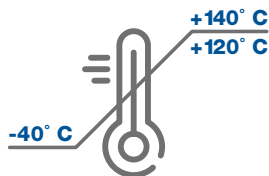
Lightweight construction is closely linked with efficiency – and our SealStar housings also combine both features. The connectors are compact and convince with their resistance to external influences.

- compliant with test specification LV214
- watertight according to IPx8/IPx9K
- single-wire sealing and robust radial sealing
- CPA (Connector Positioning Assurance)
- completely pre-assembled product
- locking element either right or left of the protective shroud possible
- primary and secondary locking

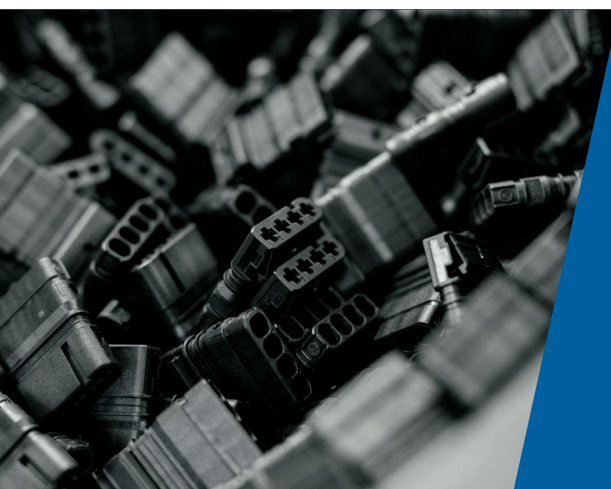
TECHNICAL PRODUCT INFORMATION FEMALE & MALE

| | |
|--------------------|---------------------------|
| CAVITIES | 2 to 8way |
| TERMINALS/CONTACTS | SLK 2.8 (Kostal) |
| PITCH | 5.0 mm |
| WIRE SIZE RANGE | max. 2.50 mm ² |
| LV214 or TLF0214 | yes |
| USCAR2 | S2 v S3 ² |
| IP-CODE | IPx8/IPx9K ² |

TEMPERATURE RANGE



VIBRATION



Characteristics Male:

Lightweight construction is closely linked with efficiency – and our SealStar housings also combine both features. The connectors are compact and convince with their resistance to external influences.

- compliant with test specification LV214
- watertight according to IPx8/IPx9K
- single-wire sealing and robust radial sealing
- CPA (Connector Positioning Assurance)
- convenient and secure connection with audible feedback of detent function
- completely pre-assembled product
- primary and secondary locking

PRODUCT VARIANTS



2WAY

| | |
|--------------------------|--------------------|
| CAVITIES | 2 |
| TYPE OF PRODUCT | female |
| NUMBER OF TERMINAL ROWS | 1 |
| CPA | yes |
| STANDARD PRODUCT | yes |
| CODING OF PRODUCT | A |
| OTHER CODINGS AVAILABLE | B, C |
| ORDER/PRODUCT NO. | 805-198-521 |



3WAY

| | |
|--------------------------|--------------------|
| CAVITIES | 3 |
| TYPE OF PRODUCT | female |
| NUMBER OF TERMINAL ROWS | 1 |
| CPA | yes |
| STANDARD PRODUCT | yes |
| CODING OF PRODUCT | A |
| ORDER/PRODUCT NO. | 805-199-521 |



4WAY

| | | |
|--------------------------|--------------------|--------------------|
| CAVITIES | 4 | 4 |
| TYPE OF PRODUCT | female | female |
| NUMBER OF TERMINAL ROWS | 1 | 1 |
| CPA | yes | no |
| STANDARD PRODUCT | yes | yes |
| CODING OF PRODUCT | A | A |
| OTHER CODINGS AVAILABLE | - | B |
| ORDER/PRODUCT NO. | 805-200-521 | 805-219-521 |



5WAY

| | |
|--------------------------|--------------------|
| CAVITIES | 5 |
| TYPE OF PRODUCT | female |
| NUMBER OF TERMINAL ROWS | 1 |
| CPA | no |
| STANDARD PRODUCT | yes |
| CODING OF PRODUCT | A |
| ORDER/PRODUCT NO. | 805-260-541 |



8WAY

| | | |
|--------------------------|--------------------|--------------------|
| CAVITIES | 8 | 8 |
| TYPE OF PRODUCT | female | male |
| NUMBER OF TERMINAL ROWS | 2 | 2 |
| CPA | yes | no |
| STANDARD PRODUCT | yes | yes |
| CODING OF PRODUCT | A | A |
| ORDER/PRODUCT NO. | 872-585-521 | 872-586-541 |

² Protective Cap recommended

SEEKING MORE DETAILED INFORMATION?
SCAN ME AND VISIT OUR WEBSITE.



ORDER FREE SAMPLES.



**Johannes Ulrich is your Contact
for Individual Questions**

Global Product Manager Low Voltage



+43 5522 307 1096



+43 664 386 58 60



johannes.ulrich@hirschmann-automotive.com



Hirschmann Automotive GmbH

Oberer Paspelsweg 6–8
6830 Rankweil, Austria

www.hirschmann-automotive.com
shop.hirschmann-automotive.com

